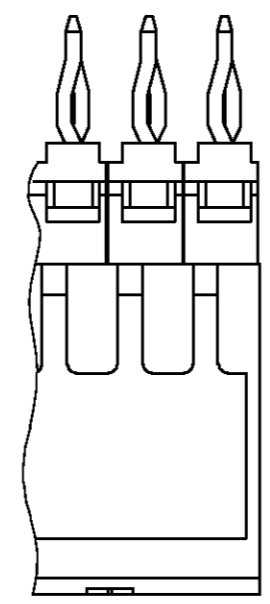
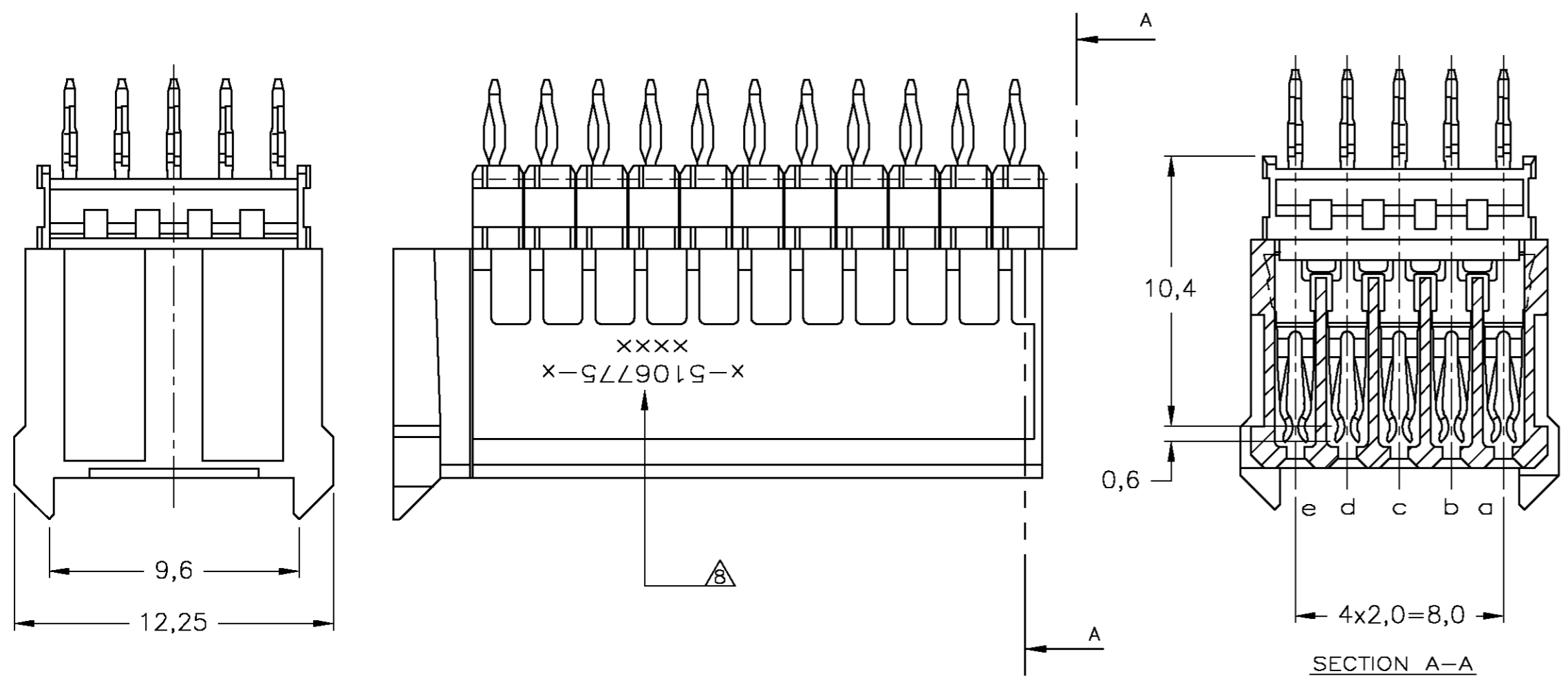
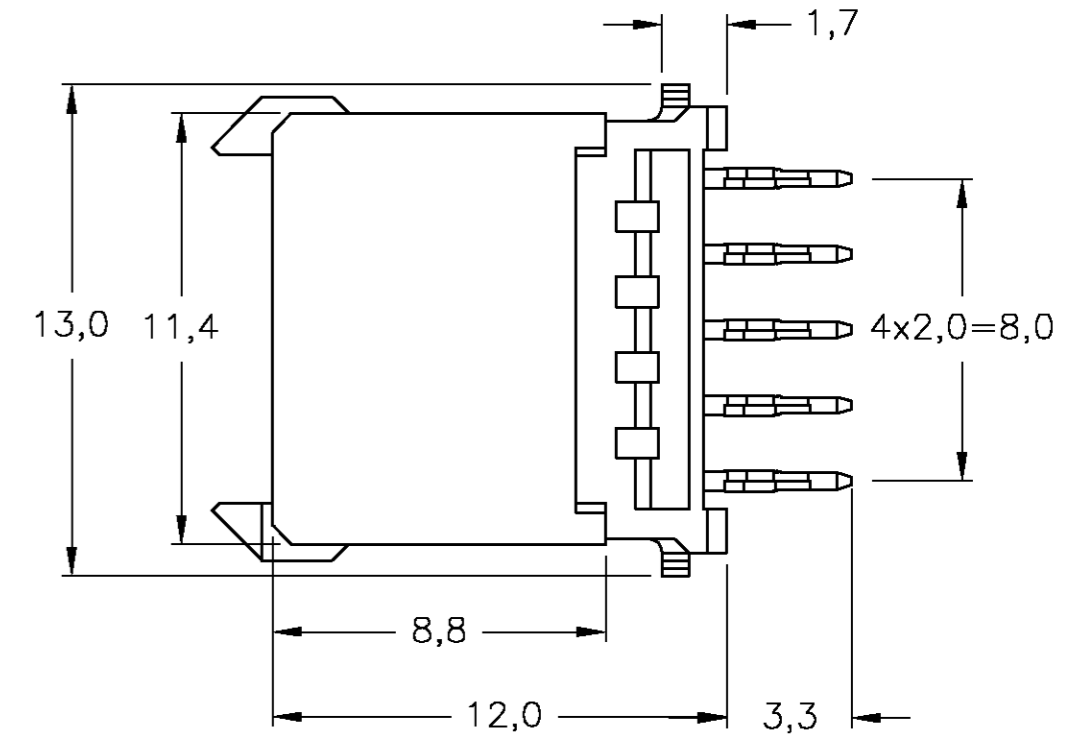
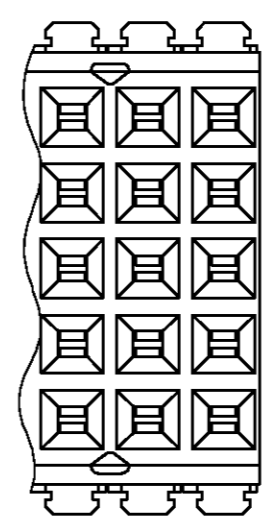
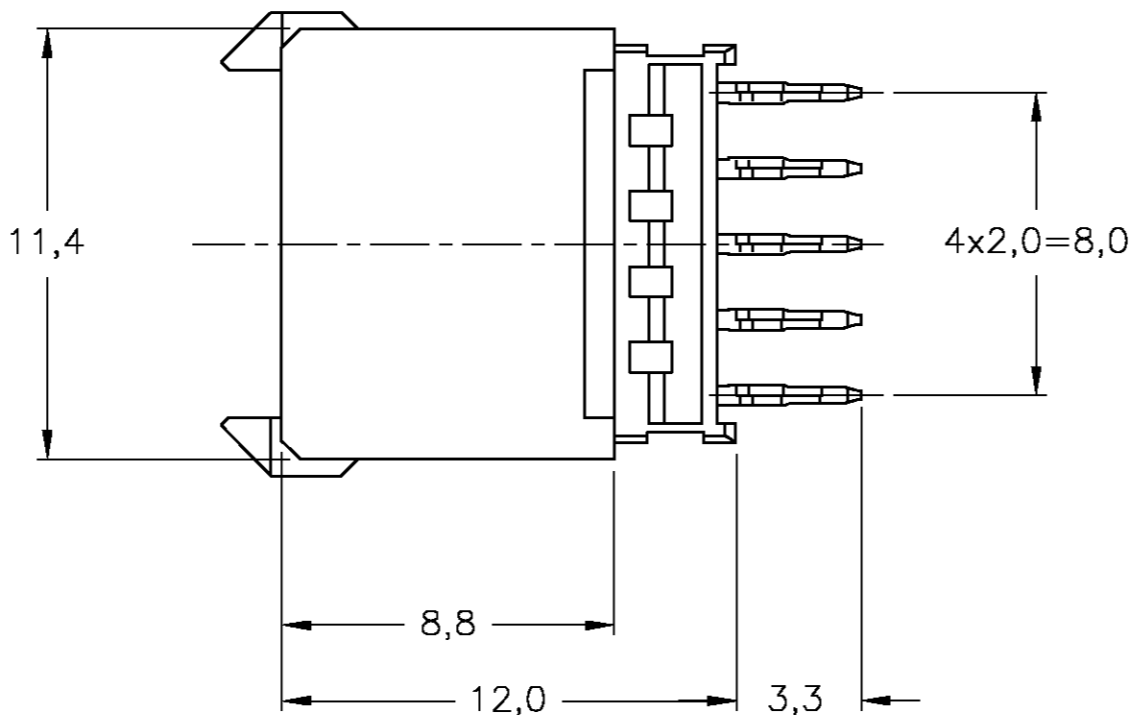
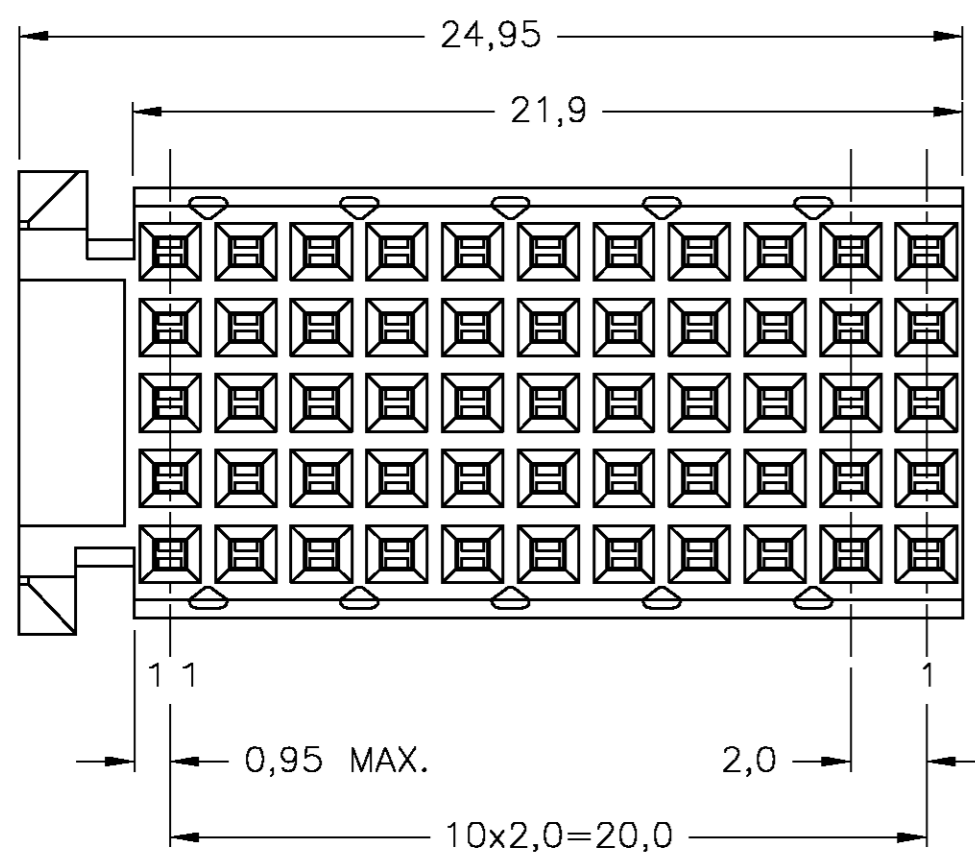


THIS DRAWING IS UNPUBLISHED. RELEASED FOR PUBLICATION  
 © COPYRIGHT BY TYCO ELECTRONICS CORPORATION. ALL RIGHTS RESERVED.

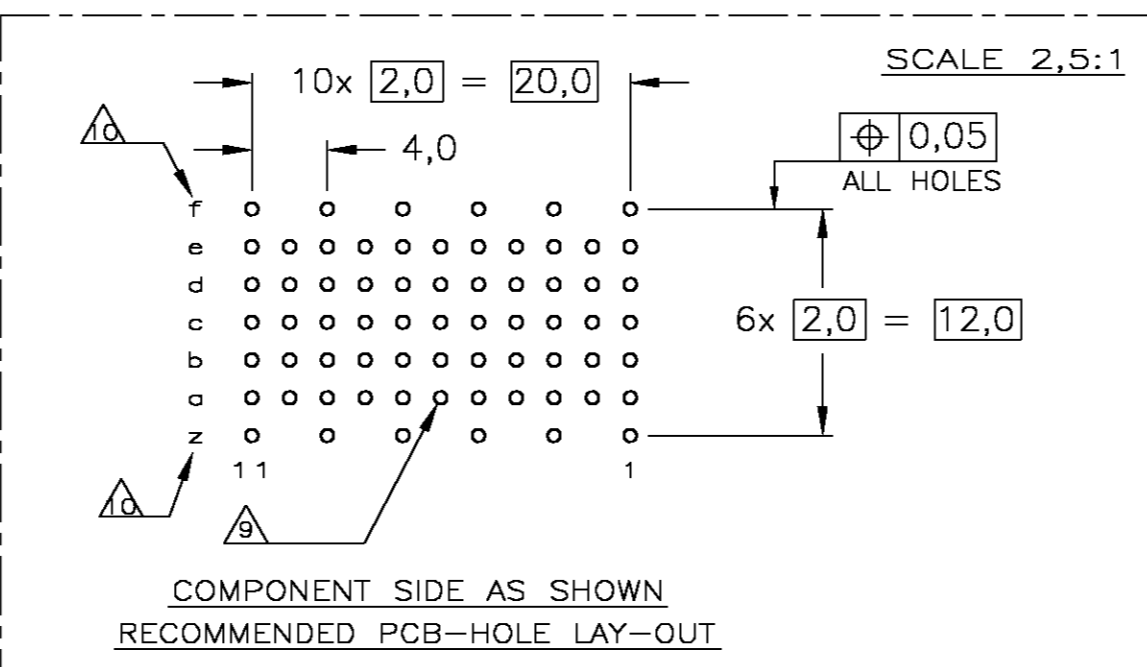
LOC		DIST		REVISIONS			
P	LTR	DESCRIPTION	DATE	DWN	APVD		
B		EH10-0680-05	30MAY05	BSV	BM		



ALTERNATE FORM



- NOTES:**
- ⚠ MATERIAL CONTACT: PHOSPHORBRONZE  
MATERIAL HOUSING: GLASSFILLED POLYESTER  
UL-RATING 94V0 (GRAY).
  - ⚠ GENERAL PLATING SPECIFICATION: UNDERPLATING (ENTIRE CONTACT):  
1,27µm NICKEL MIN. AND ACTION PIN: 0,5µm TIN MIN.  
FOR PLATING OF MATING SURFACES SEE APPLICABLE SPECIFICATION REFERENCE FOR EACH DASH NUMBER.
  - ⚠ CONFORMS TO ALL TESTING ACCORDING IEC 61076-4-101 PERFORMANCE LEVEL 2.
  - ⚠ CONFORMS TO ALL TESTING ACCORDING IEC 61076-4-101 PERFORMANCE LEVEL 1.
  - ⚠ CONNECTOR TESTED AND QUALIFIED AGAINST TELCORDIA GR-1217-CORE QUALITY LEVEL III, CENTRAL OFFICE APPLICATIONS.
  - ⚠ CONNECTOR TESTED AND QUALIFIED AGAINST TELCORDIA GR-1217-CORE QUALITY LEVEL III, UNCONTROLLED ENVIRONMENT APPLICATIONS.
  - ⚠ CONNECTOR LUBRICATED WITH TELCORDIA GR-1217-CORE APPROVED LUBRICANT.
  - ⚠ CONNECTOR PRINTED WITH PARTNUMBER AND DATECODE.
  - ⚠ PLATED-THROUGH HOLES AT 2x2mm SQUARE GRID (55 HOLES). HOLES IN ROW f AND z FOR POSSIBLE FUTURE USE OF GROUND RETURN SHIELD. (SHIELDS NOT YET TOOLED)



P.C.B. HOLE DIM. ACTION PIN  
FOR DETAILS SEE APPLICATION SPECIFICATION

FINISH	MATERIAL	PARTNUMBER
⚠⚠⚠	⚠	1-5106775-9
⚠⚠⚠	⚠	5106775-9
⚠⚠	⚠	5106775-4
⚠⚠	⚠	5106775-1

THIS DRAWING IS A CONTROLLED DOCUMENT.

DIMENSIONS: mm	TOLERANCES UNLESS OTHERWISE SPECIFIED:	DWN 13AUG2004	Tyco Electronics Corporation 's-Hertogenbosch, 5222AR-32
0 PLC ± -	1 PLC ± -	CHK 27OCT2004	
2 PLC ± -	3 PLC ± -	APVD 27OCT2004	NAME
4 PLC ± -	ANGLES ± -	FINISH	Z-PACK 2mm HM TYPE C
MATERIAL	FINISH	PRODUCT SPEC	55 POS. VERTICAL FEMALE
		APPLICATION SPEC	CONNECTOR ASSEMBLY
		WEIGHT	SIZE CAGE CODE DRAWING NO RESTRICTED TO
		CUSTOMER DRAWING	A2 00779 C=5106775
			SCALE 5:1 SHEET 1 OF 1 REV B